

LED Lighting

LED Downlight DL6-BS-E series



Features

- ❑ High performance LED luminaire
- ❑ Energy efficient
- ❑ Choice of power ratings
- ❑ Long life, zero maintenance
- ❑ No Flicker, instant start
- ❑ Dimmable option
- ❑ Emergency pack available
- ❑ Philips Xitanium LED driver

Description

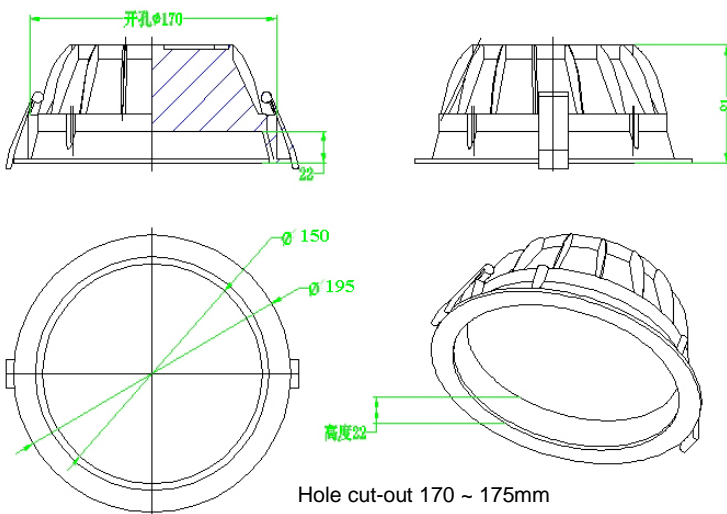
The DL6-BS-E series are LED fittings designed for downlighting in recessed ceilings. The lightweight construction is designed with excellent thermal properties and the light output is even & consistent with low glare. The downlight is easily fixed via integral spring clips and powered by an external ac mains driver.

Electrical & Optical specification

| Driver input voltage | Power Factor | Ingress Protection | Operating Humidity | Operating Temperature |
|----------------------|--------------|--------------------|--------------------|-----------------------|
| 100~240vac | >0.9 | IP41 | RH 20 ~+85% | -15 ~ +50°C |

| Part Number | Wattage (W) | CRI | Total Flux (lm) | CCT (°K) | Glare Index | Beam Angle | Lifetime L70 (hrs) @25°C |
|------------------|-------------|-----|-----------------|----------|-------------|------------|--------------------------|
| DL6-BS09SD-E-CW | 9W | >82 | 850 | 6000 | 16 | 110° | >50,000 |
| DL6-BS09SD-E-PW | | | 850 | 5000 | | | |
| DL6-BS09SD-E-NAW | | | 820 | 4000 | | | |
| DL6-BS09SD-E-WW | | | 800 | 3000 | | | |
| DL6-BS15SD-E-CW | 15W | | 1350 | 6000 | | | |
| DL6-BS015SD-E-PW | | | 1350 | 5000 | | | |
| DL6-BS15SD-E-NAW | | | 1300 | 4000 | | | |
| DL6-BS15SD-E-WW | | | 1250 | 3000 | | | |

Dimensions



Driver options include:

- 1-10v and DALI dimming
- ac mains dimming (triac)
- Emergency lighting pack
- Sensor dimming

Notes:

Use in conjunction with low voltage constant current drive systems
These units are designed for low voltage dc operation and should only be connected to ac mains via a suitable LED driver (supplied)
Luminous Flux values quoted are typical. Please contact our office for the latest luminous intensity yields
Specifications may be subject to change without notice